

**Three Piece Stainless Steel Ball Valve, Full Port**

- Pressure Limits : PN40 /PN63
- Size : 1/4" - 4"
- Body and ball material : AISI304, AISI316 (CF8, CF8M)
- End Connections : Female BSP (Optional NPT, SW)
- Dimensions : EN-558-1 (DIN3202-M3)
- Seat : PTFE, RPTFE
- Temperature Limits : -20 ° C / + 180 ° C



- Anti-blowout Stem, Full port design
- Optional Locking Device and Actuator mounting pad ( ISO5211)
- Integral actuator mounting pads allows for ease of automation.
- Automation accessory options, Air actuators (Double acting and spring return) , Electric actuators (24VDC, 110VAC, 220VAC)

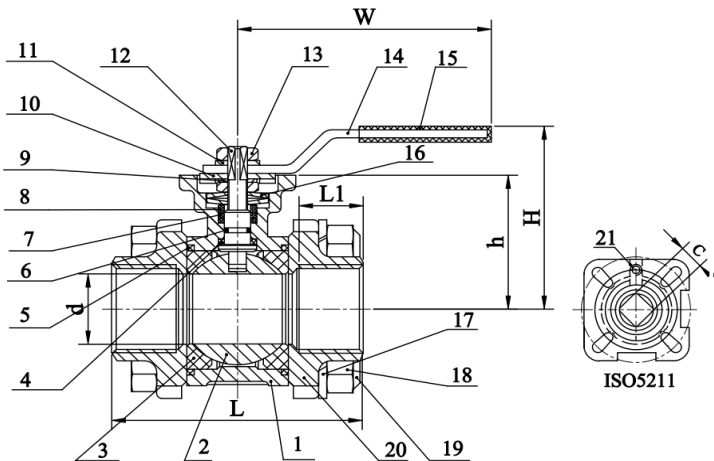
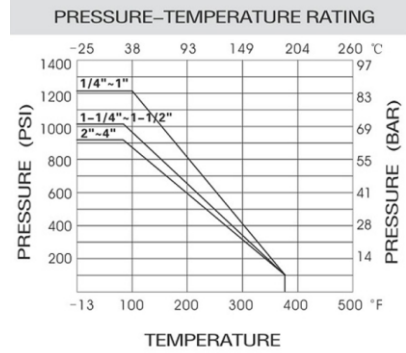
**APPLICATIONS**

- Gas or liquid flow control
- Chemical, petrochemical and other general applications

**Dimension (mm)**

Size	d	L	L1	H	h	C	W	ISO5211
1/4"	11	50	10	59	32.5	9	115	F03
3/8"	12,5	60	11	59	32.5	9	115	F03
1/2"	15	75	15,5	70	42	9	117	F03/F04
3/4"	20	80	16	78	50	11	134	F04/F05
1"	25	90	19	87	58	11	134	F04/F05
1-1/4"	32	110	21	98	64	14	203	F05/F07
1-1/2"	40	120	21	104	69.5	14	203	F05/F07
2"	50	140	25	112	78	14	203	F05/F07
2-1/2"	65	185	30	140	100	17	255	F07/F10
3"	80	205	33	153	112.5	17	255	F07/F10
4"	100	240	39	166	125.5	17	302	F07/F10

\*All dimensions in mm unless shown otherwise.



Size	1/4"	3/8"	1/2"	3/4"	1"	1-1/4"	1-1/2"	2"	2-1/2"	3"	4"
Tork (NM)	4	4	5	8	10	14	18	25	48	75	110

Item	Part	Material	Qty
1	Body	CF8 /CF8M	1
2	Ball	SS304 / 316	1
3	Ball Seat	PTFE / RPTFE	2
4	Thrust Washer	PTFE / RPTFE	1
5	Body Gasket	PTFE / RPTFE	2
6	O-Ring	Viton	1
7	Stem Packing	PTFE / RPTFE	1
8	Gland	SS201 / 304	1
9	Tab Washer	SS201 / 304	1
10	Stopper	SS201 / 304	1
11	Spring Washer	SS201 / 304	1
12	Stem	SS304 / 316	1
13	Nut	SS304 / 316	2
14	Handle	SS201 / 304	1
15	Handle Cover	Plastic	1
16	Belleville Washer	SS301	2
17	Spring Washer	SS201 / 304	4
18	Nut	SS201 / 304	4
19	Bolt	SS201 / 304	4
20	Cap	CF8 / CF8M	2
21	Stop Pin	SS201 / 304	1

\*Designs, materials, weights and performance ratings are approximate and subject to change without notice.

### Two Piece Stainless Steel Ball Valve, Full Port

- Pressure Limits : PN40 /PN63  
 Size : 1/4" - 4"  
 Body and ball material : AISI304, AISI316 (CF8, CF8M)  
 End Connections : Female BSP (Optional NPT, SW)  
 Dimensions : EN-558-1 (DIN3202-M3)  
 Seat : PTFE, RPTFE  
 Temperature Limits : -20 ° C / + 180 ° C

#### Anti-blowout Stem, Full port design

Optional Locking Device and Actuator mounting pad ( ISO5211)

Integral actuator mounting pads allows for ease of automation.

Automation accessory options, Air actuators (Double acting and spring return) , Electric actuators (24VDC, 110VAC, 220VAC)



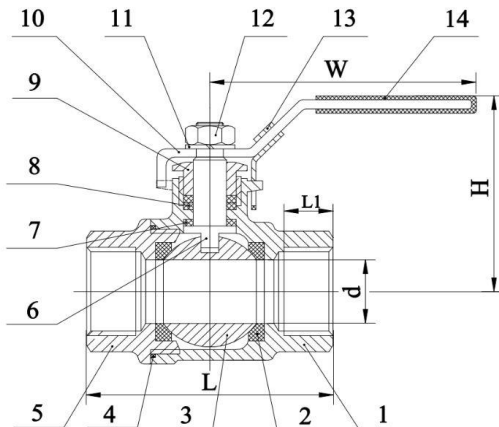
#### APPLICATIONS

- Gas or liquid flow control
- Chemical, petrochemical and other general applications

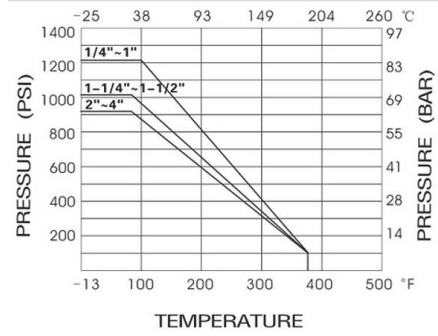
#### Dimension (mm)

Size (BSP)	d	L	W	H	L1
1/4"	6	50	100	50	9
3/8"	10	60	100	50	12
1/2"	15	75	100	52	15
3/4"	20	80	115	57	16
1"	25	90	150	78	19
1-1/4"	32	110	150	88	22
1-1/2"	38	120	180	95	22
2"	50	140	180	100	26
2-1/2"	65	185	245	120	29
3"	80	205	245	130	32
4"	100	240	278	160	38

\*All dimensions in mm unless shown otherwise.



#### PRESSURE-TEMPERATURE RATING



No.	Part	Material
1	Body	CF8 / CF8M
2	Ball Seat	PTFE / RPTFE
3	Ball	SS304 / 316
4	Body Gasket	PTFE
5	Cap	CF8 / CF8M
6	Stem	SS304 / 316
7	Thrust Washer	PTFE
8	Stem Packing	PTFE
9	Gland Nut	SS304 / 316
10	Handle	SS201 / 304
11	Spring Washer	SS304
12	Handle Nut	SS304
13	Handle Lock	SS201 / 304
14	Handle Sleeve	Plastic

\*Designs, materials, weights and performance ratings are approximate and subject to change without notice.